

## DATA SHEET

### Volume Limiting Controller VLC20

For DIN-rail Mounting



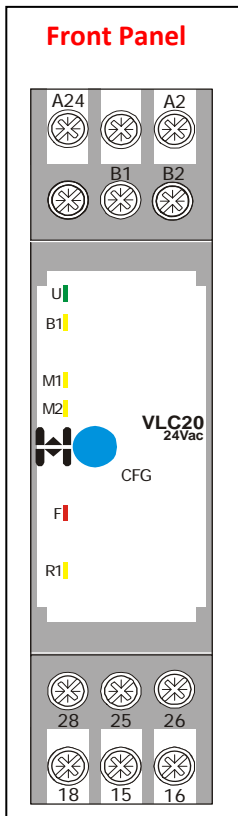
#### Function

Automatic Limiting of volume of water pumped in any 24 hour period to 20 cubic meters

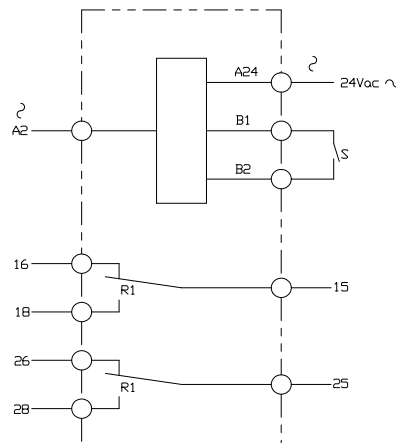
Control of pump and change over function by DPCO relay

Technical Data	
Manufacturer	www.HIQUEL.com
Supply Voltage	A2-A24 24 Vac (-20% to =10%) 50-60Hz
Power consumption	approx 1,5 VA
Channel (potential-free)	Change-over (monostable)
Contact material	AgSnO <sub>2</sub>
Switching capacity	1.5 A 250V at cosφ=1 ( For external relav use only)
Counter Input	Potential free Contact @ 1pulse / litre
Time Period	24 hours fixed
Flow Limit	20m <sup>3</sup> i.e. 20,000 pulses fixed
Galvanic Isolation	No
Signal Common	A2 for power supply
Input Voltage	(B1)24Vac (-20% to +10%) 50-60Hz (B2)is output for B1
Minimum On Time	50ms
Minimum Off time	50ms
Maximum Input frequency	10Hz (Counter Input)
Output	Double pole change over DPCO
Special modes	i ) Reset timer and counter ii ) Test
Memory	Non Volatile
Power back-up	approx 4 years (at 60°C)
Permissible ambient temp.	-10° to +50°C
Enclosure	self-extinguishing thermoplastic Noryl / Lexan
Dimensions	110 x 94 x 23mm (d x h x d)
Mounting	Distribution board 35mm DIN-rail (DIN EN 50 022)
Type of connection	Screw terminals (pull-up type)
Type of protection	IP 20 to DIN 40 050
Class of protection	II when installed according to regulations

#### Front Panel



#### Connection Layout



#### Key

- A2 = 24 Vac Live
- A24= 24 Vac Neutral
- B1= Pulse from Flowmeter (1 Pulse per litre) (24Vac)
- B2= Pulse from Flowmeter (1 Pulse per litre) (24Vac)
- S = Flowmeter Reed Switch
- 15= Relay Common
- 16= Relay NC
- 18= Relay NO
- 25= Relay Common
- 26= Relav NC

#### Supplied By:

**Proquip Direct Limited, Park Road Works, 125, Park Road, Beckenham, Kent. BR3 1QJ.**

Tel : 020 8639 0377/8 Fax : 020 8639 0379 Email : sales@proquipedirect.com Web Site : www.proquipedirect.com

Registered in England and Wales No 3464096 VAT No 706953812